

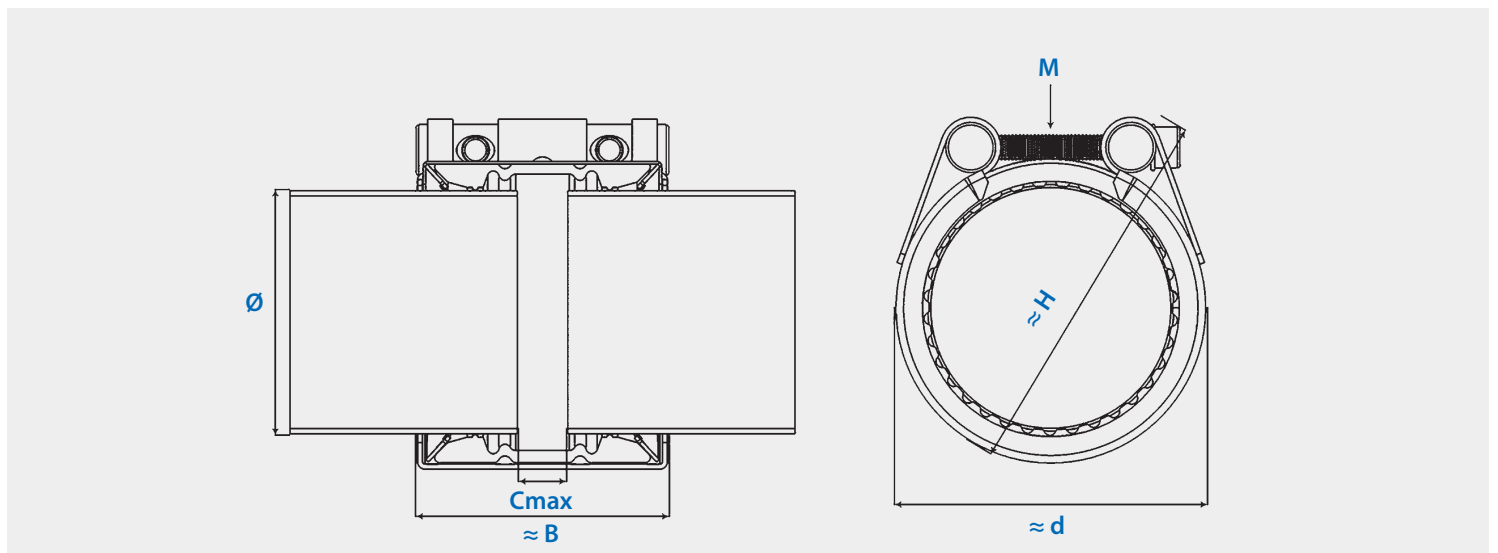
PIPEGRIP

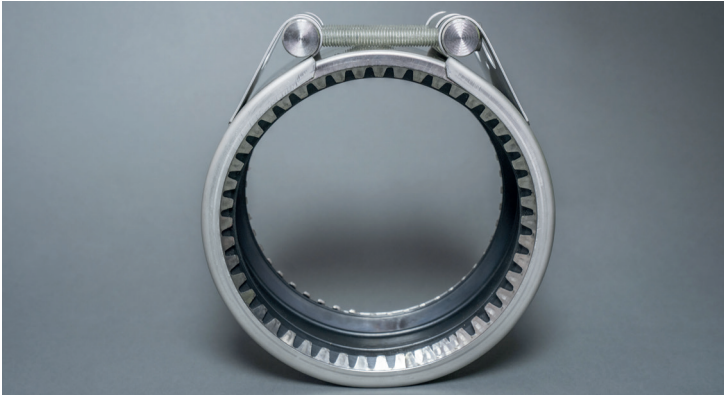
PIPE CONNECTION FOR PCW



Dimensions

Pipe diameter		Nominal diameter SS steel		Min. tube wall SS steel		Weight		B		C max		d		H		M
Inch	mm	Inch	mm	Inch	mm	lb	kg	Inch	mm	Inch	mm	Inch	mm	Inch	mm	mm
2.375	60,3	2	50	0,060	1,5	2.0	0,91	2.95	75	0.98	25	3.35	85	4.92	125	M8
3.500	88,9	3	65	0,079	2,0	3.6	1,63	3.74	95	1.18	30	4.88	124	6.69	170	M10
4.500	114,3	4	100	0,079	2,0	4.2	1,91	3.74	95	1.18	30	6.22	158	7.95	202	M10
6.625	168,3	6	150	0,079	2,0	8.4	3,81	4.33	110	1.57	40	8.35	212	10.31	262	M12
8.625	219,1	8	200	0.118	3,0	14.0	6,35	5.59	142	1.57	40	10.28	261	11.30	287	M16
10.750	273,1	10	250	0.118	3,0	16.0	2,72	5.59	142	1.57	40	12.36	314	13.39	340	M16
12.750	323,9	12	300	0.197	5,0	25.0	11,34	5.75	146	1.57	40	14.41	366	15.43	392	M16
14.000	355,6	14	350	0.197	5,0	27.0	12,25	5.75	146	1.57	40	15.79	401	16.81	427	M16
16.000	406,4	16	400	0.197	5,0	29.0	4,08	5.75	146	1.57	40	17.76	451	18.78	477	M16





Description

Material Grade Body	AISI 316 Ti / 1.4571
Grip Ring	AISI 301 / 1.4310
Gasket	EPDM (-22°F to + 176°F)
Bolts and nuts	Lubo Coated A4-70 / A4-80 Bolts
Test	He-tightness tested by Dockweiler 1 x 10 ⁻⁷ atm cc/s (mbar l/s) PN 16 (PN 25 on request)
Media	Water / Waste water / Air / Compressed Air / Solids
Approved for	Drinking water applications Elastomer Guidelines of the Federal Environmental Agency (UBA), DIN EN 681 (WA / WB / WC / WD); Gas applications DVGW GAS as per DIN 3387 / G5600-1; Shipping industry DIN 86128 Part 1 and 2
Certified by	ABS, DNV-GL, BV, Lloyd's Register

Fully compliant with B31.3 / Table 326.1 Component Standard ASTM F1476-07 / Type II Class 2 GMC

Based on Material S31603 (316L) Schedule 10

NPS	OD	Max. working pressure		Max. Allowable End Load		Max. Allowable Bending Moment		Item-No.:
		psig	bar	lbs	N	ft-lbs	Nm	
Inch	mm	psig	bar	lbs	N	ft-lbs	Nm	Item-No.:
2"	60,3	600	40,0	2618	11644	160	217	DO-GS16A4E58-64
3"	88,9	500	35,0	4979	22146	370	502	DO-GS16A4E88-96
4"	114,3	300	20,0	4703	20919	440	597	DO-GS16A4E112-120
6"	168,3	250	16,0	10196	45354	1295	1756	DO-GS16A4E164-172
8"	219,1	250	16,0	13824	61493	1400	1898	DO-142-G10A4E210-223
10"	273,1	150	10,0	13424	59712	2000	2712	DO-142-G10A4E263-276
12"	323,9	150	10,0	18882	83993	3000	4067	DO-146-G10A4E315-328
14"	355,6	150	10,0	22759	101238	3500	4745	DO-146-G10A4E350-363
16"	406,4	90	6,0	17836	79338	4000	5423	DO-146-G6A4E400-413

Vacuum tight up to 90% vacuum
(-675 mm Hg / -90 hPa / -0.9 bar)

Safety factor = 3
Example: NPS 2" = 600 psig X 3 = 1800 psig