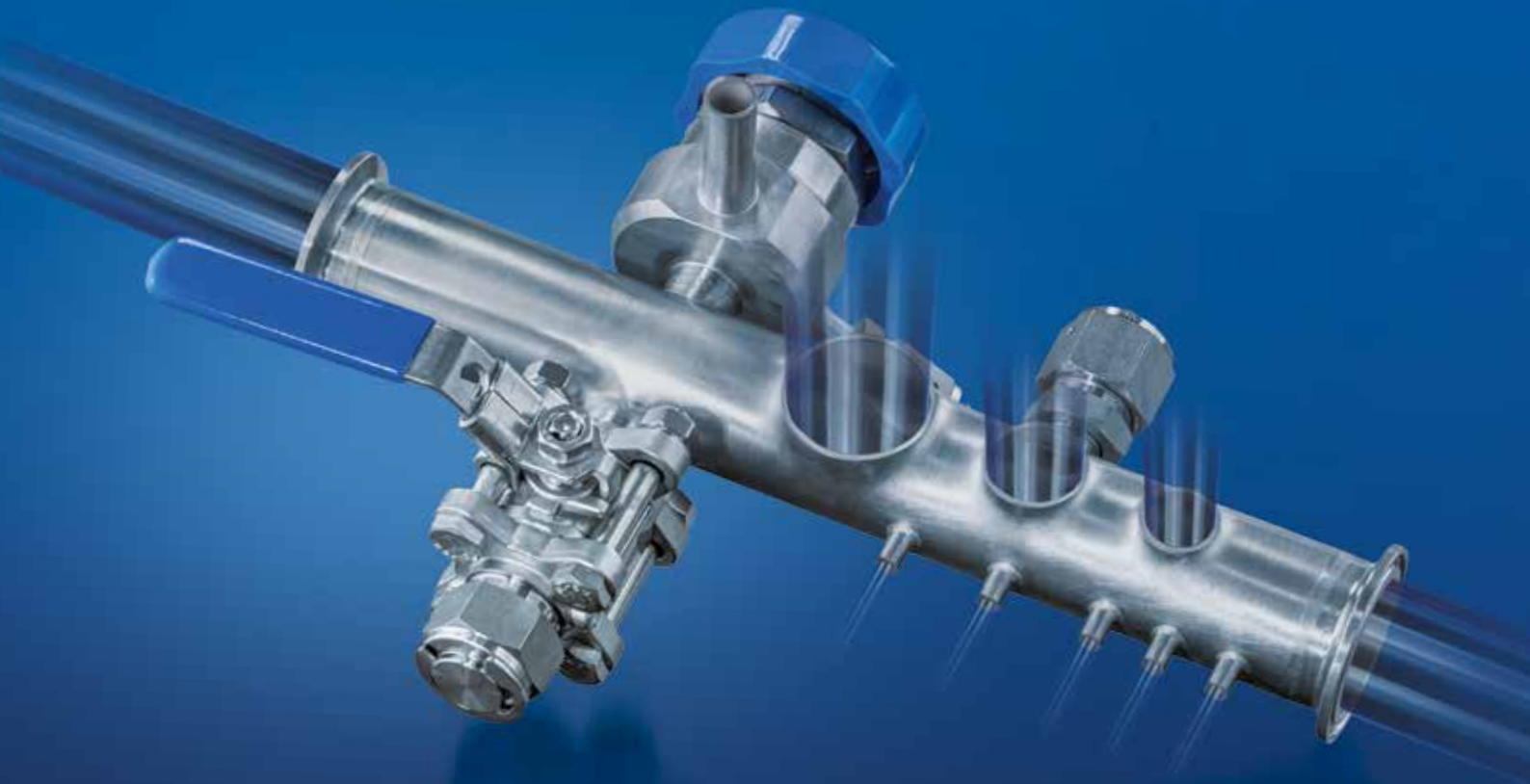


READY4U

CUSTOMIZED SOLUTIONS FOR EFFICIENCY



“ Process optimization has many aspects. WHAT IS YOUR DRIVER?

READY4U

The impetus for the development of industrial processes and innovations is mostly provided by technological and economic aspects. Increasingly, however, global issues such as sustainability are also gaining enormous importance. Against the backdrop of increasing complexity at different levels, the demands on people, materials and processes are growing. This is precisely the point at which we support you with our engineering experience: with customized READY4U system components. What drives you?



Enhancing Efficiency



For many manufacturing companies, increasing efficiency is a particular challenge: Given the high complexity of production systems, companies might come up against personnel or technological limits.

Hygienic Design



For pharmaceutical products and other highly sensitive substances, protection against contamination is an essential aspect. The question is how quickly and easily a production facility can be cleaned. Hygienic design includes production features that ensure this and guarantee continuous product quality.

Space Management



Nowadays, capital-intensive production, rising prices (e.g. energy) or shortages of raw materials are forcing companies more and more to put their processes to the test. Space management refers to customer-specific solutions that enable the expansion or optimization of plants in a very limited space.

Leak Tightness



Chemical plants or tube systems in the semiconductor industry must operate reliably. Absolute tightness is a prerequisite for process reliability.

Highest Purity



The highest standards of hygiene and cleanliness are essential for numerous manufacturing processes in the pharmaceutical, chemical and semiconductor industries. This is particularly true for the inner surfaces of piping systems that are in contact with sensitive media.



Process instrumentation



Integrating measuring technology into tube systems means intervening in the part that comes into contact with the process. Components are differentiated into welded stainless steel tube or drilled solid material depending on the design. Flow optimization is of great importance for the process.

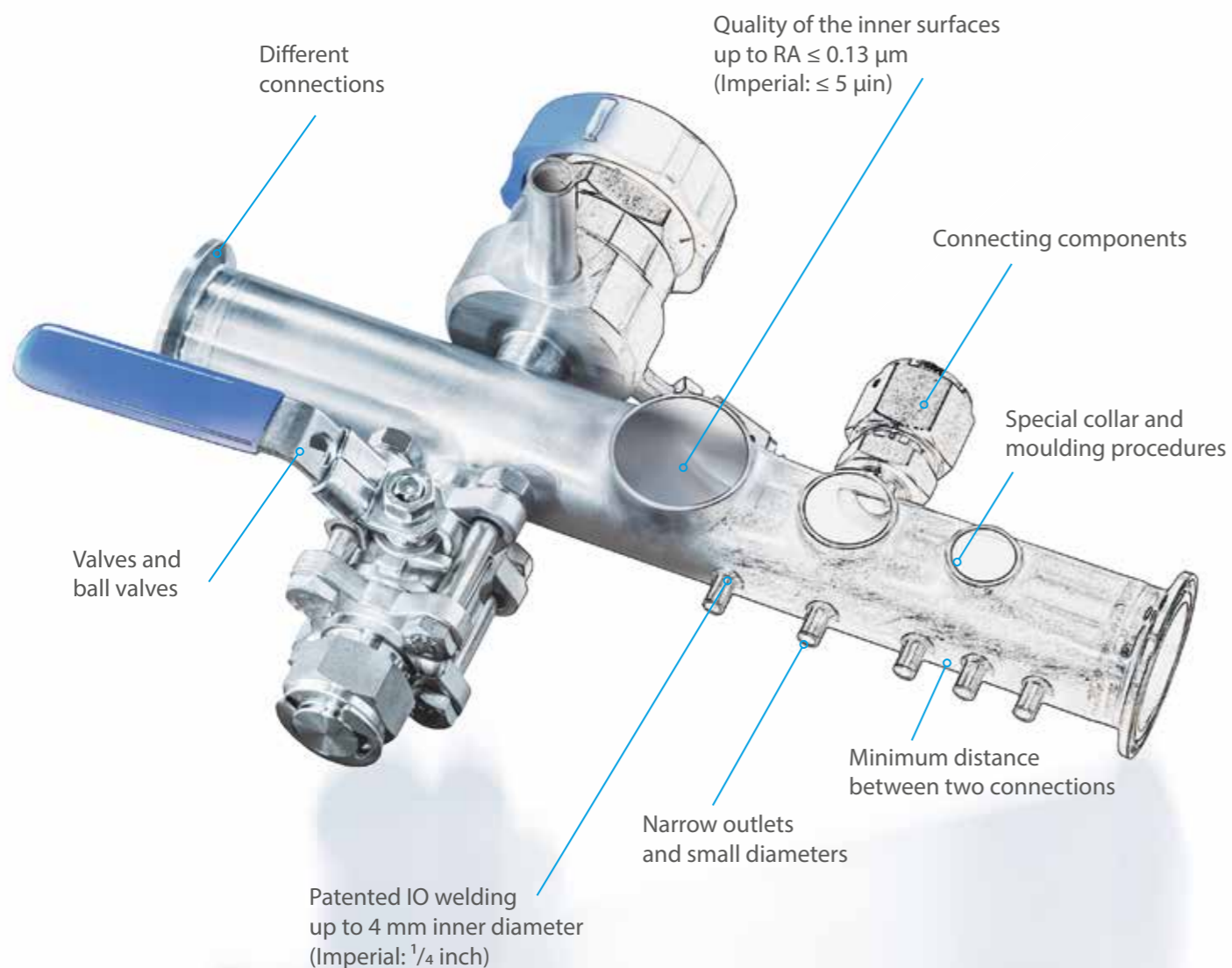
Technology partner at your side

Dockweiler has assembled its own expert team of industry specialists and engineers for the development and manufacture of innovative system components. The team is at your side with competence and know-how in the development of customized solutions.

“ If you can draw it,
WE CAN MAKE IT.

READY4U

When developing individual components and prototypes, our Engineering Solutions team supports you with many years of application knowledge. Our experts translate your requirements into suitable special solutions: In the end, selected technical refinements come together to form a unique component. Your customized solution can be easily integrated into your process - READY4U.



Expertise in Stainless Steel

We know the highest demands on the quality and grade of materials for use in highly technical industries. And we have been doing so for over 60 years.



Clean Room Production

ISO class 4 / US FED STD 209E 10 is our standard. High-purity UHP and vacuum systems as well as containers are welded, assembled, tested and packed by us.



Surface Treatment

With mechanical and electrochemical surface treatment and finishing, we ensure optimum purity in industrial process systems.



Certified Quality

Standardized structured 3.1 certificates ensure complete traceability from raw material to delivery. On request also digitally with our WebCert.



Welding Technology

Ideal for complex geometries: Using the 3D inside-out welding process (IO welding), we manufacture outlets with low dead space and close proximity to each other.



Validation of Components

Material testing (PMI), X-ray testing, cryo testing, surface analysis, corrosion testing, residual gas analysis and helium leak testing complete our scope.



Metal Processing

Compact and flow-optimized: Our evolved expertise includes metalworking operations such as bending and collaring. This is evident in every single component.



Engineering

For the optimization of processes we design special solutions resulting in new developments. With our experience we are partners for industry and science.



No matter how specific your business is.
WE ARE AT YOUR SIDE WITH CUSTOMIZED SOLUTIONS.

READY4U



Digitalization, decarbonization and innovative life science technologies are undisputed megatrends. They show which topics will decide our future. Companies are called upon to take on these challenges and offer solutions. We are in the process.

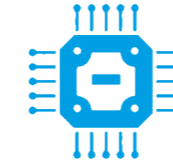
Our Solution Engineering Team

Customized Solutions are advanced system components for industrial processes. Our goal is to work with you to develop the best solution for your process. We see ourselves as a technology partner for efficiency enhancement and optimization in the fields of Life Science, Microelectronics and New Energy.

Contact our Solution Engineering team:

solutions@dockweiler.com

Dr. Torsten Köcher, Head of Solution Engineering, +49 38757 58 111



Microelectronics

Innovation in semiconductor technology is becoming more dynamic every year: artificial intelligence, 5G network, Internet-of-Things, autonomous driving and other aspects of digitalization are leading to a high level of complexity. The demands on industrial processes in the Microelectronics mega industry are increasing immensely.

This is also evident in the highly specific line systems of the semiconductor industry. Here, Dockweiler is one of the pioneers. The production of manifolds for ultra-pure gas supply is therefore just one of many customer-specific solutions.



Life Science

Life science technologies are constantly evolving. This applies to the production of active medical ingredients as well as to processes in the field of biotechnology. Innovations are absolutely necessary to remain competitive. The complexity and dynamics are also reflected in the increasing demands on components and piping systems. For media supply, CIP/SIP systems, water-for-injection or even wastewater treatment, we are at your side with our expertise.



New Energy

One of the greatest challenges is undoubtedly to transform all sectors of the economy sustainably and to set new standards with innovations: In addition to photovoltaics, hydrogen must be developed as an energy carrier and future technologies such as the fusion of hydrogen isotopes must also be advanced. For the world's largest fusion plant to date, the Wendelstein 7-X research project in Greifswald, Dockweiler supplied customized components for the cooling system. This experience is currently also being used for the international ITER project (International Thermonuclear Experimental Reactor in Cadarache/France).



Dockweiler AG

An der Autobahn 10/20
19306 Neustadt-Glewe
Germany

☎ + 49 38757 58-0

✉ sales@dockweiler.com



www.dockweiler.com

Find your local partner
and further informations