

# DOCKWEILER

connecting flow to purity



## INSPIRED BY FLOW: DOCKWEILER

Tube systems in stainless steel and components for high purity liquid and gas media in high-tech industries.



## A FAMILY-OWNED COMPANY WITH INTERNATIONAL EXPERTISE.

### TODAY

The family-run, German company Dockweiler is a leading international manufacturer of high quality stainless steel tube systems and components. For 60 years now, our name has stood for top quality, excellent service, motivated staff, and innovative solutions. Our commitment, expertise, and reliability create long-term customer satisfaction and loyalty. With a plant in Thailand, subsidiaries in the Netherlands, the UK, and Israel, and representative offices in more than 40 countries around the globe, we can ensure short lead times and expert, on-site support for our international customers.



Dockweiler AG is an innovative company with a long tradition of expertise. Established in 1955 in Hamburg, the company started out as a hardware business. Later, the focus was shifted to seamless tubes for standard applications. Today, Dockweiler specializes in high purity stainless steel tube systems for use in high-tech industries such as semiconductors, pharmaceuticals, biotechnology, and photovoltaics.

## TODAY



### INSPIRED BY FLOW – FOR 60 YEARS

Today, we are an international company with a global reputation for top quality tube systems, support, and customer service. The expertise and commitment of our development, quality assurance, and production staff has made us what we are: a reliable, expert partner valued by industry - for 60 years now!

### QUALITY KNOWS NO COMPROMISE.

Of that we are in no doubt. For instance, at Dockweiler, one in ten members of staff works in quality assurance, ensuring our standards remain consistently high. Our support and services also make a key contribution to Dockweiler's standards of quality. Our specialists have exact knowledge of all the specifications and are able to provide expert advice on choosing the right product. Our engineers will plan and design bespoke components with you and support you in implementation.

Our ambitious customers appreciate complete solutions offered by Dockweiler: innovative products, smooth services as well as qualified advisory.

### TUBES & FITTINGS

Standard, Coax and Connections  
Pharma Hoses and Corrugated Stainless Steel Hoses



### CUSTOMIZED SOLUTIONS

Manifolds, Vessels,  
and Custom Fittings



### BUBBLER SYSTEMS

Bubbler and Accessories



### COMPONENTS & VALVES

Ball Valves, Purge Tools,  
Gas Sticks, Presslok



### SERVICES

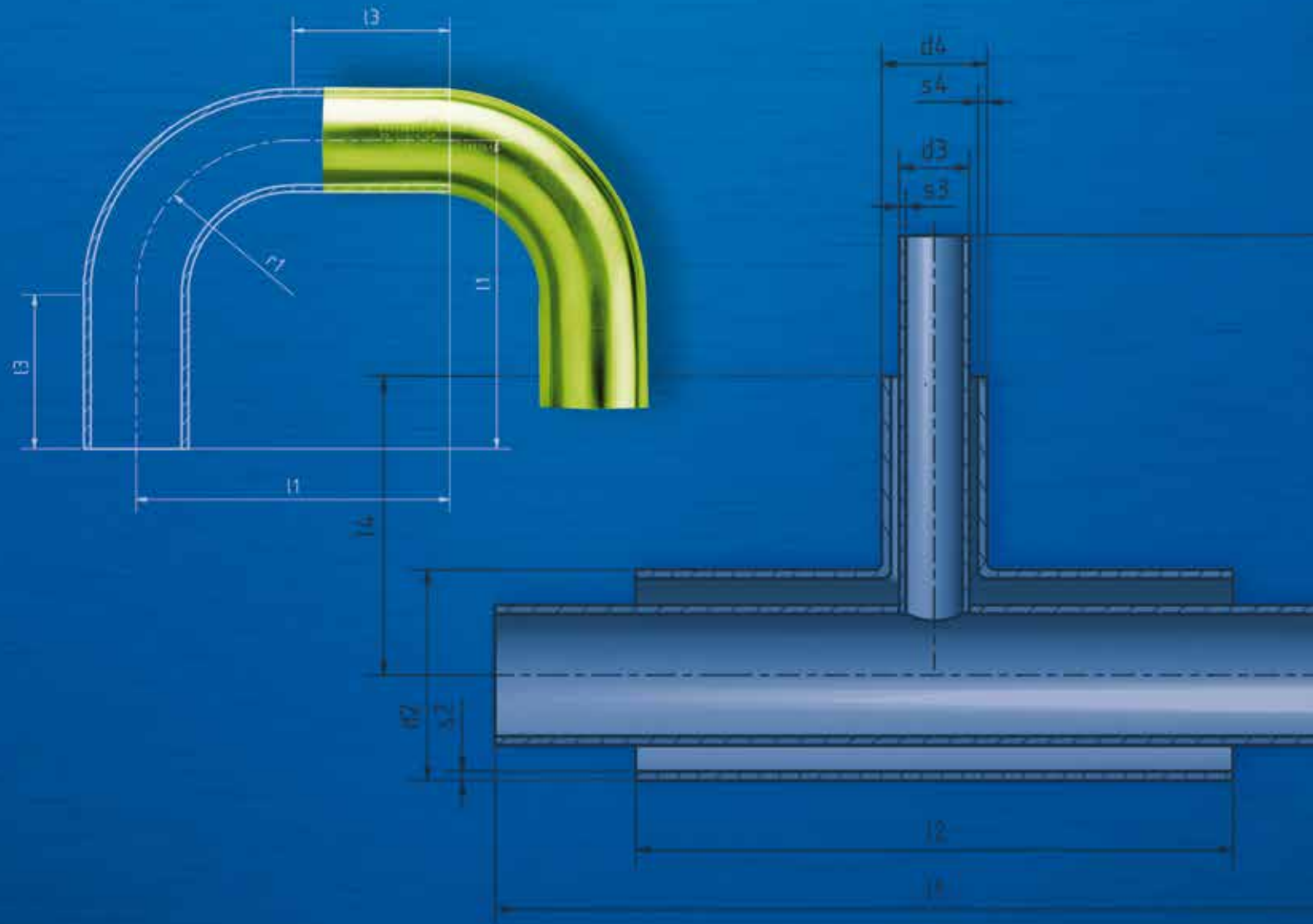
Cleanroom, Engineering Support,  
EcoPurge, Containers on Trailer Platforms



### DOCUMENTATION & CERTIFICATES

Certified Manufacturing, WebCert,  
Customized Documentation





**WE OFFER THE EXTRA ADVANTAGE OF  
SPECIAL, TRIED-AND-TESTED PRODUCTION METHODS.**

**EXPERTISE**

*Whether our customers require orbital welding, surface optimization, or cleanroom production, we know what we're talking about and what we're doing. Dockweiler offers specific surfaces for safe equipment: bright finish, pickled, anodically cleaned, or electropolished. With decades of expertise and experience in surface optimization and finishing, we can give our customers the very best advice on how to implement the requirements of their specific application – up to a Ra of 0.13  $\mu\text{m}$ !*



## EXPERTISE



### WELDING

With orbital welding, Dockweiler offers discoloration-free welding, minimization of delta ferrite in weld seams, and electrochemical corrosion tests as standard. Using welding machines developed specifically for use by Dockweiler, our experienced, qualified staff will ensure proper execution. All work is also carried out in accordance with the applicable standards and customer specifications.

### CLEAN ROOM PRODUCTION

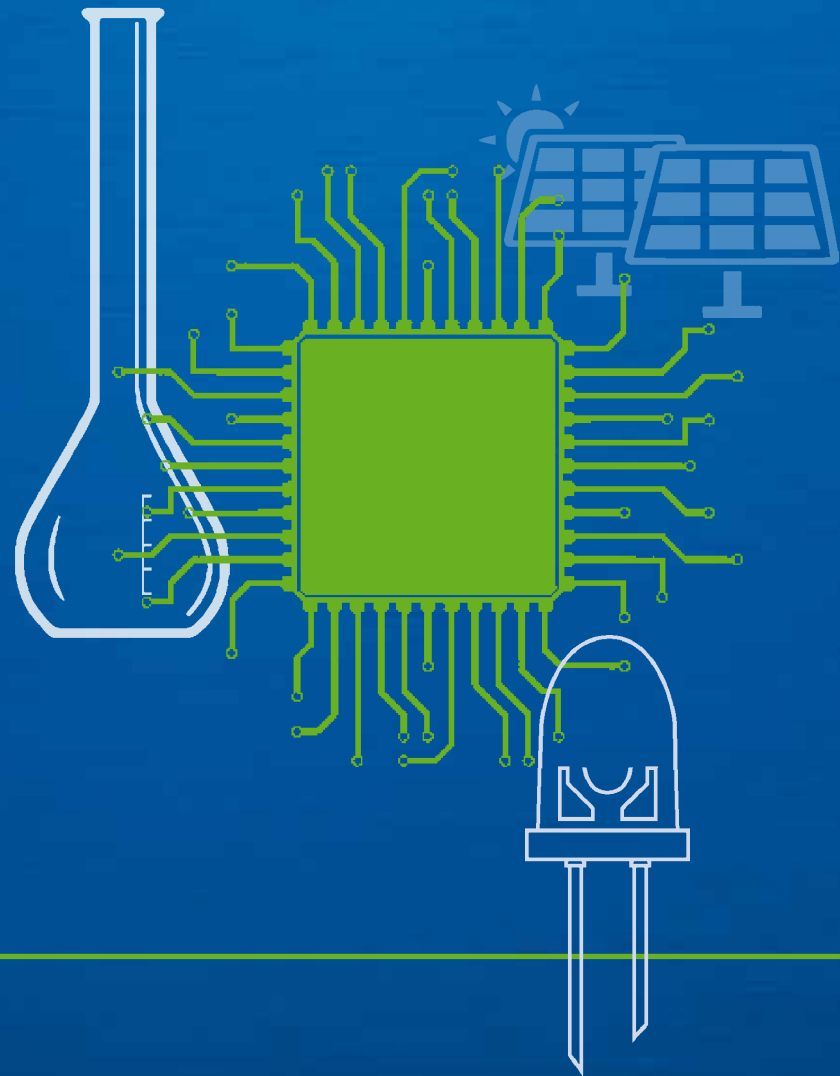
Our customers are requiring ever-higher standards of surface quality and purity for their products. To meet this need, we can collar, weld, assemble, test, and pack high purity assemblies such as manifolds or bubblers in our ISO 4 clean room.

### COLLARING

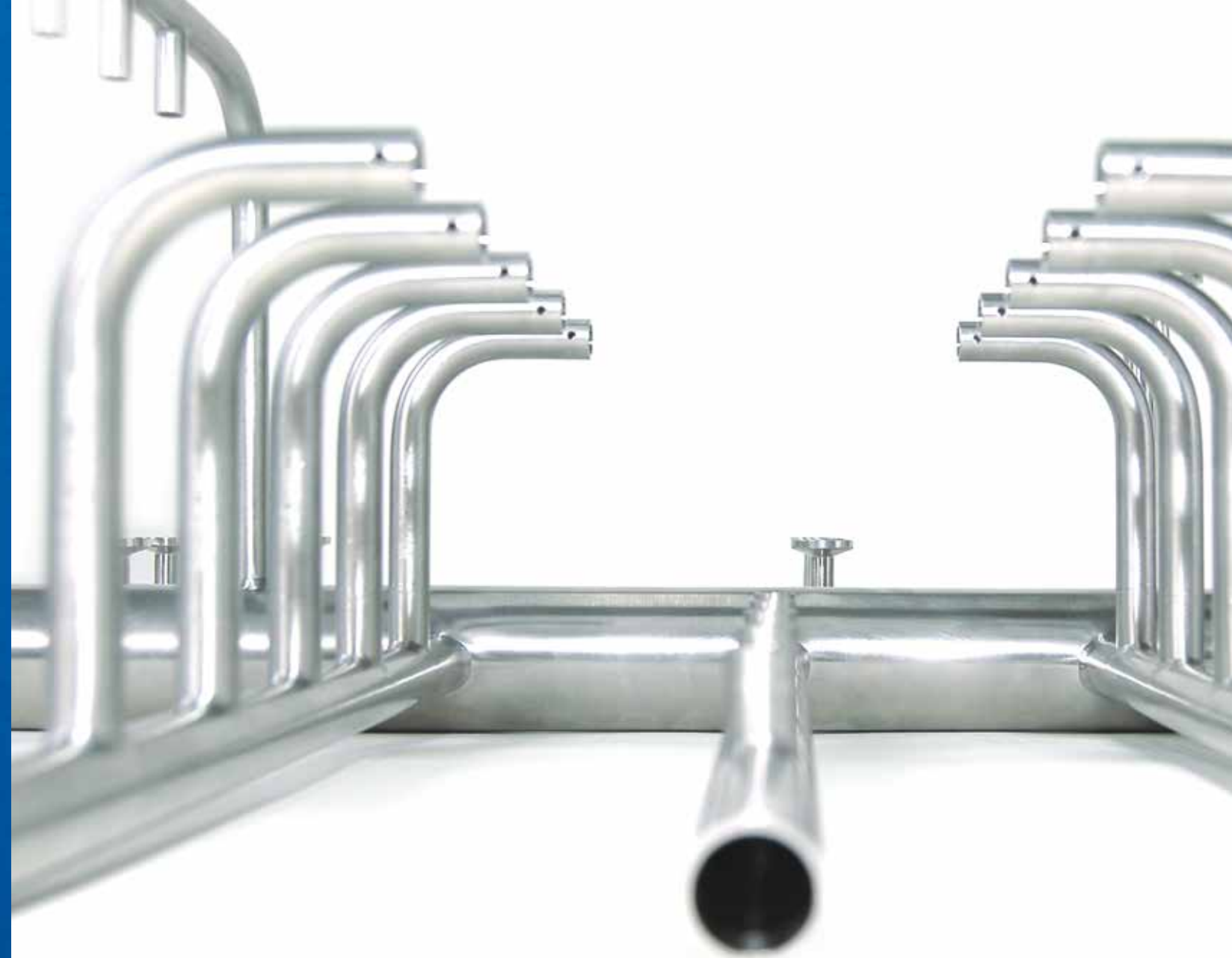
Dockweiler has long-standing experience in the collaring of tees, CIP lances/rings, and manifolds of up to 20 ft in length. Day by day our experts aim to improve the collaring technique, therefore also narrow spaced collars are one of our special competences.

### SPECIAL PRODUCTION METHODS

Manifolds made of corrosion-free material, complex shapes, valve manifolds with minimal dead space, and easy-to-clean surfaces: these are just some of the special production requirements we fulfil on a daily basis. In doing so, our experts can draw on their knowledge built up from years of experience in design and project management. Every special part is tested by our quality assurance staff for compliance with international and national standards and dispatched to you with detailed documentation.



**SOLUTIONS**

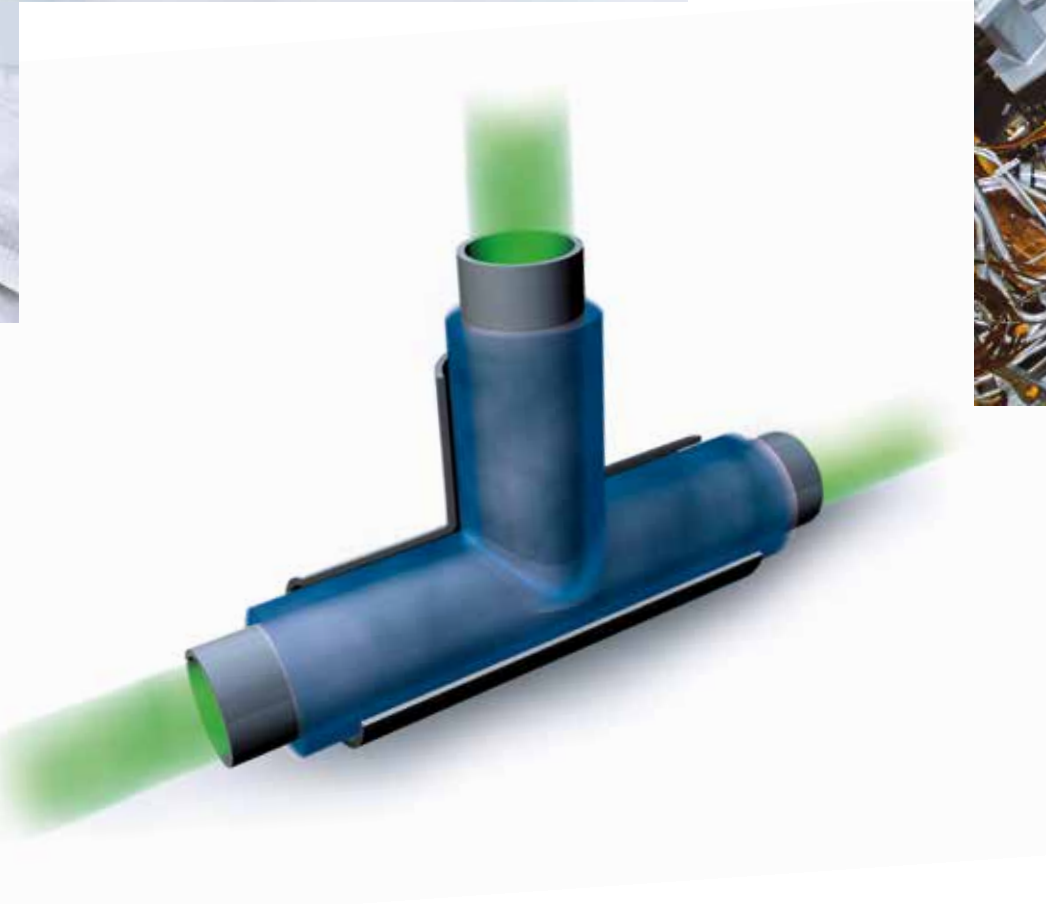


**IF YOU CAN DRAW IT,  
WE CAN BUILD IT!**

*Dockweiler provides products and quality grades that are tailored to specific requirements. We make products primarily for the semiconductor, pharmaceutical, biotechnology, analysis and photovoltaics industries.*

*Whether the aim is to produce high purity water for injections, manufacture blue LEDs, or generate energy from plasma reactors, every industry and every application poses its own special challenges for manufacturing stainless steel tube systems. When it comes to implementation, the Dockweiler rule is simple: if a customer can sketch their idea, then we can make the product they want.*





## SOLUTIONS

### PROCESS SAFETY FOR PHARMACEUTICALS AND BIOTECHNOLOGY

Whether the aim is to manufacture parenteral drugs, serums, or other drugs and medications, our focus is on good cleanability and full traceability of wetted components such as tubes and molded parts, as well as soft seals.

Every component is marked with the Dockweiler number, size, material, and, as required, the melt. Hoses and soft seals also, of course, meet pharmaceutical standards, ensuring greater process safety during production.

Being a member of the European Hygienic Engineering & Design Group (EHEDG) and a continual and active member of the international ASME BPE Committee, Dockweiler is keeping the finger on the pulse. All standard sizes in our bpe-direct range of products (manufactured to comply with ASME BPE requirements) are available from ex stock in grades SF1 and SF4.

### SAFE TRANSPORT OF CRITICAL MEDIA AND HIGH PURITY GASES

As microprocessors become ever smaller and more powerful, the semiconductor industry is requiring ever-higher standards of surface quality. To transport high purity process gases safely to the required locations, we have developed special surface finishes that are used by all well-known semiconductor manufacturers.

Following the needs of our customers according to the right surface finishes, we offer innovative UHP, CFOS, and PCW solutions. These can be manufactured, welded and packaged in Dockweiler's own clean room. This makes on-site installation easier and simpler - with obvious time and cost advantages.

### FOR US, NEW ENERGIES AND WORLDS ARE ALREADY A REALITY

In very close collaboration with our customers and suppliers, we are already developing solutions that are being used in the most advanced nuclear fusion reactors such as Wendelstein 7-X and the international ITER research project. We have met challenges such as high-precision, perfect-fit production of 3D curved stainless steel tube systems and mastered these with flying colors. Furthermore, our tailored solutions are used not just in these research facilities but also in the manufacture and production of photovoltaic solar cells.

In addition to new and renewable energies, we also equip other research projects with our stainless steel tube systems: for example, the astronomical observatory operated by the European Southern Observatory (ESO) in Chile's Atacama desert in the Andes.





## VISION



**„INSPIRED BY FLOW“ STANDS FOR  
ENTHUSIASM, INSPIRATION, AND INNOVATION.**

*„Inspired“ stands not only for enthusiasm and inspiration but also for innovation. „Flow“ stands for our core business, which deals with gas and liquid media.*

*Today, Dockweiler is one of the leading international manufacturers of stainless steel tube systems. The company has also provided engineering solutions for decades, creating custom assemblies that meet the highest standards of purity and precision. The key factor in Dockweiler’s success in this area has been the company’s collaboration with customers. And we are keeping things flowing - and—thereby creating the right conditions for innovation and the challenges of the future.*





## VISION

### FROM A HARDWARE BUSINESS TO AN INTERNATIONAL MANUFACTURER

Dockweiler has grown from being a recognized specialist in stainless steel tubes to a provider of tube systems. With state-of-the-art production methods and the necessary technical and engineering expertise, the company can prefabricate and optimize system components.

It all began with the advancement of orbital welding technology to meet the high standards required by the semiconductor industry. The high quality standards of our products and services can be guaranteed over the long term only by developing new areas of production and continually investing in further training.

### OUR EMPLOYEES ARE OUR MOST IMPORTANT ASSET

Today, Dockweiler AG employs more than 200 people at its headquarters in Neustadt-Glewe. Worldwide, the company employs 350 people, at our subsidiaries in Europe, America, and Asia, and more than 40 representative offices.

We are committed to ensuring our employees are highly trained and qualified. We therefore place great value on education and continual training within the company.

Along with good professional qualifications, we place particular importance on the social skills of our employees.



### CREATIVITY AND INNOVATION: KEY FACTORS

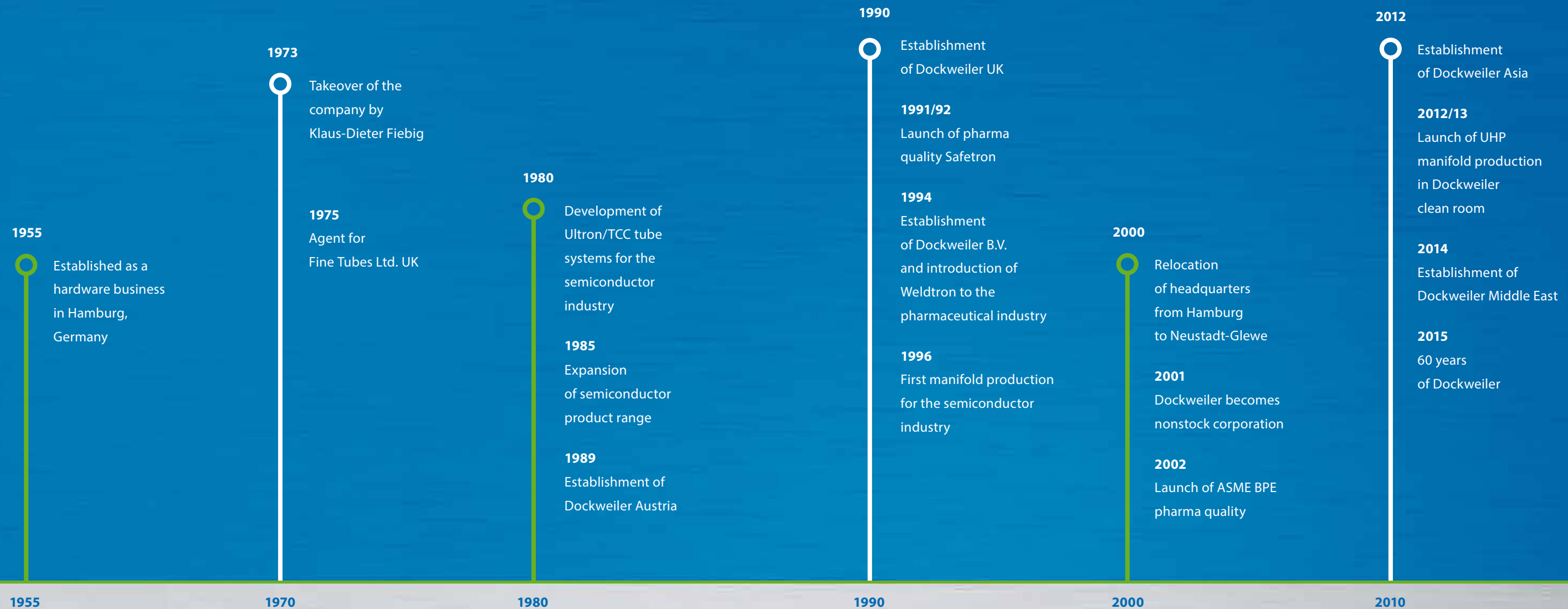
Proximity to the market and an entrepreneurial spirit are drivers of creativity and innovation. At Dockweiler, these factors are of central importance for generating customer satisfaction. This also includes a sense of partnership within the company as well as partnerships of trust with our customers and suppliers.

For us, sustainability means running our company in a way that respects the environment with regard to the use and treatment of resources. To ensure that our children and grandchildren will also be able to live in an intact environment and stable economic and social conditions, we consider it important to take a responsible approach to the consumption of raw materials and energy. Our environmental management system has ISO 14001:2015 certification.

Within the company, every process step, from IT to production, is reviewed by our expert teams at fixed intervals, and explored for alternatives.



**60 YEARS ON,  
AND THE STORY CONTINUES.**



*1950s-1960s*

In Europe, the period of rebuilding commences, leading to the „economic miracle“, particularly in Germany. The then Soviet Union launches the Earth satellite „Sputnik“ (1957) and the Americans are the first to land on the Moon up with Apollo 11 (1969).

**Erection of the Berlin Wall (1961).**

*1970s-1980s*

In 1971, the first microchip is developed. The era of the personal computer begins with the founding of Apple and Microsoft. The development of the fiber-optic cable revolutionizes the communications industry.

**Fall of the Berlin Wall (1989).**

*1990s*

With commercial use of the internet, the PC finds its way into private households. Mobile phone use also becomes affordable for all. In 1997, NASA's Pathfinder lands on Mars.

**Reunification of Germany (1990).**

*2000s-2010s*

With globalization, the internet determines our lives more and more: smartphones and tablets provide continuous access to data. Also on the increase: alternative means of power generation such as photovoltaics.

**Introduction of the Euro (2002).**



Contact Person

**Dockweiler AG**

An der Autobahn 10/20  
19306 Neustadt-Glewe  
Germany

Tel.: +49 38757 58 0  
Fax: +49 38757 58 222  
E-Mail: [sales@dockweiler.com](mailto:sales@dockweiler.com)  
Internet: [www.dockweiler.com](http://www.dockweiler.com)

